

Booster System

Metro-Pac and Metro-Varipac

INSTALLATION INSTRUCTIONS

Dated: 4/4/03

Supersedes: None

Document No.: BS-IN-01

Page 1 of 2

Metropolitan provides a wide range of systems and components for municipal, commercial and industrial applications. We would like to thank you for purchasing this new Metropolitan Industries Pump System.

IMPORTANT!

The carrier and Metropolitan agent should be notified immediately of any damage in transit.

Metropolitan Industries has an extensive network of factory authorized service centers, as well as direct service support. Only factory-authorized personnel are to start up Metropolitan Industries Pump Systems. Powering equipment without prior permission voids all warranties.

Customer Assistance:

For the location of the nearest Service Center, contact your Metropolitan Industries representative or call direct at 800-323-1665.

These instructions are only for general installation information. For product specific information see the system operation and maintenance manual.

Your domestic water pump system is intended for use in open systems only.

Following these installation instructions will assure safe and reliable operation of your pump system. Installation should only be done by qualified personnel in accordance with any applicable codes and ordinances.

Storage:

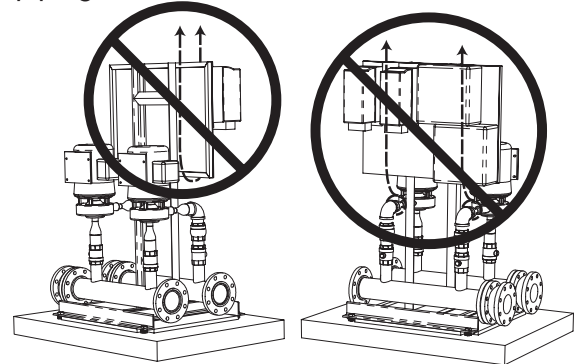
A stored pump system should be covered during prolonged storage. Store only in a clean, dry location. Temperatures must be maintained between 32° and 100°F. Relative humidity must not exceed 85%, non-condensing.

! WARNING

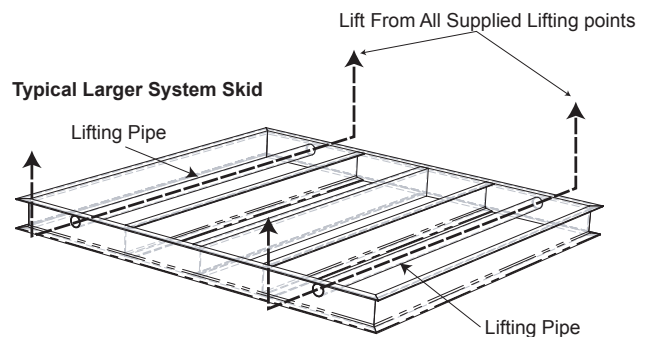
Mechanical damage may occur!

Lifting:

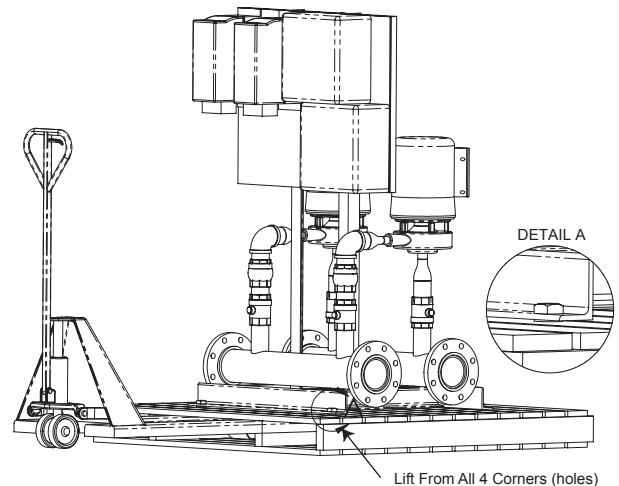
Do not lift pump system by control panel frame or piping.



System should only be lifted by structural support members using chains, cables and appropriate rigging.



The system can also be moved with a Fork Lift or Pallet Jack.



Typical Small Booster System

Booster System

Metro-Pac and Metro-Varipac

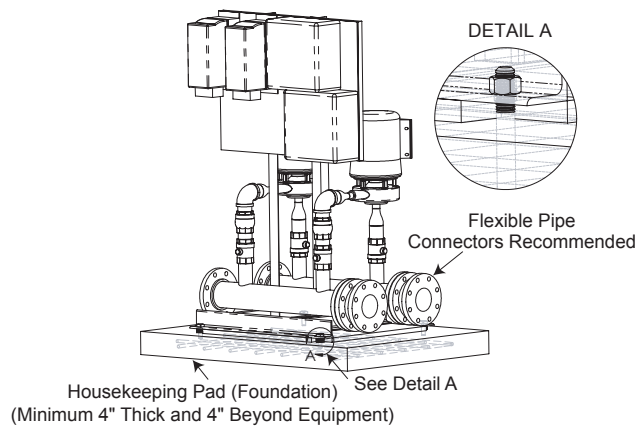
INSTALLATION INSTRUCTIONS

Dated: 4/4/03

Supersedes: None

Document No.: BS-IN-01

Page 2 of 2



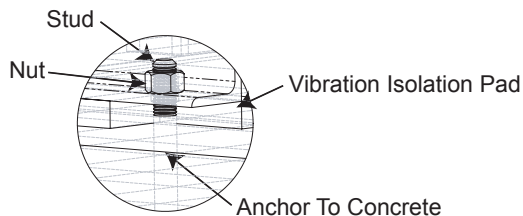
Foundation:

System foundation must be substantial enough to absorb mechanical stresses during system operation.

Anchoring:

Pump system must be securely bolted to the floor or housekeeping pad using a quality anchoring system. Do not over tighten the bolts. This can deflect the steel base. All mounting holes must be used. If installed adjacent to sensitive areas, Metropolitan recommends the use of isolation pads and vibration isolators to minimize noise and vibration.

It is critical to install the system level to assure reliable operation with no stress to the steel base. Shim system base as required. Shims must not exceed 3/4" in height. Boltholes must have equal footing.



Mounting will be in accordance with Hydraulic Institute.

Pipe Connections:

Use only specified gaskets, sealants and hardware for system connections. If installed adjacent to sensitive areas, Metropolitan recommends the use of flexible connectors for vibration isolation at all connection points.

Installer must support field piping independent of the system piping and eliminate strain on mating

flanges. Do not attempt to force or spring booster system piping into alignment.

Flexible connectors are also recommended to eliminate the possibility of pipe strain.

Hydropneumatic Tank (if supplied):

System storage tank must be pre-charged to 10 psig less than system pressure.

Example:

Desired System Pressure = 50 psig

Tank Pre-charge = 40 psig

Installer must verify and adjust air pressure prior to filling system with water.

WARNING

System leaks may develop!

Mechanical systems may have loosened during transit and handling. If leaks develop, installer should isolate system and notify their Metropolitan agent immediately.

IMPORTANT!

All booster systems are shipped with temperature sensing assemblies on the discharge of each pump. The solenoid and pressure relief valves need to be piped to drain or waste. Do not plug, bypass, or otherwise defeat these important safety devices.

WARNING

Electrical Shock Hazard!

Electrical installation should be completed only by qualified personnel in accordance with all codes and ordinances.

All field connection points are identified on the Schematics found in the control panel. Do not attempt connecting system without schematic diagrams.

Verify system voltage matches equipment voltage ratings before connection.

Refer to operations manual and panel labeling for any special wiring requirements.