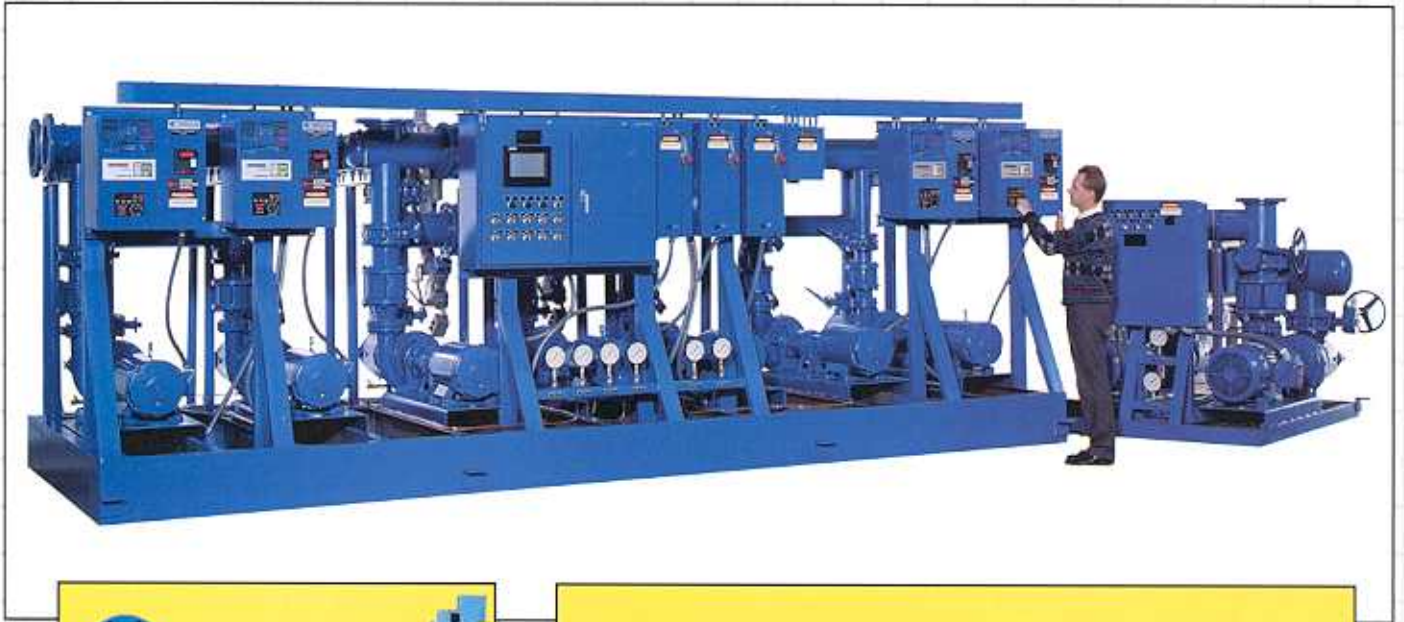


Metro-Miser

ENERGY SAVING
VARIABLE SPEED
CONTROL SYSTEMS

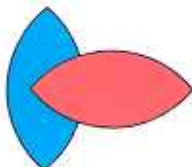


APPLICATIONS

- CHILLED WATER SYSTEMS
- HOT WATER SYSTEMS
- CHILLERS
- DOMESTIC WATER SYSTEMS

CONTROLS

- DIFFERENTIAL PRESSURE
- TEMPERATURE
- FLOW
- LEVEL
- COMBINATION



METROPOLITAN EQUIPMENT COMPANY

A DIVISION OF METROPOLITAN INDUSTRIES, INC.

VARIABLE SPEED PUMPING SYSTEMS SAVE MONEY.

Most pumping systems are designed to only operate at peak demand, when in reality these peak conditions occur less than 10% of operating time. Usually pumping systems only need to operate at *less than half capacity*.

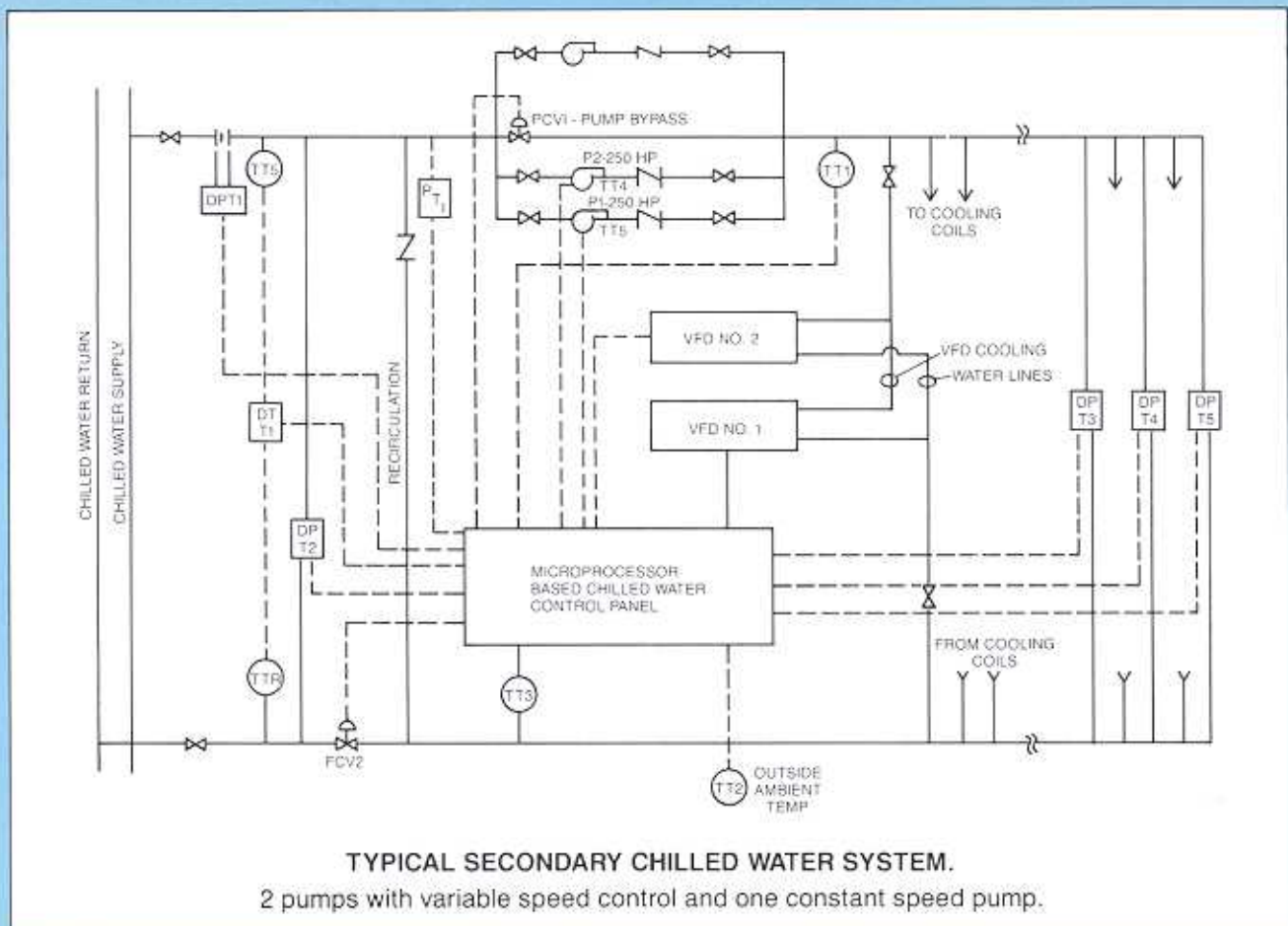
The variable speed capability allows the system to operate at just the capacity necessary to meet demand, thereby saving significant amounts of energy and wear.

CHILLED WATER SYSTEMS

Variable speed systems can be applied to primary or secondary system pumps and can be controlled by differential pressure, or return temperature.

HOT WATER SYSTEMS

Hot water systems, controlled by return water temperature, use only the energy necessary to maintain peak efficiency.



CUSTOM SYSTEMS FOR ANY SIZE FACILITY.



Data and monitoring can be collected at central unit on large complex.



Adjustments can be made simply and easily on standard keyboard or optional touch screen.



Complete Prefabricated System with computer controller.



Complete package systems available for fast field installation.

LARGE CHILLED WATER SYSTEMS.



O'HARE INTERNATIONAL AIRPORT
Chicago, Illinois



Ten duplex and two triplex Metropolitan chilled water control systems control the secondary chilled water loops at the nation's busiest airport. Each secondary system is efficiently controlled with 6 modes of operation by independent micro computers.

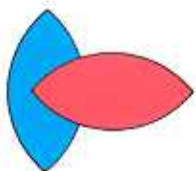
These systems insure adequate flow through each

secondary coil with a programmed differential pressure that is reset by outdoor ambient conditions.

Chiller efficiency is optimized by accurate control of primary return temperature.

Let our experience work on your application.

For details, call your Metropolitan Pump Representative.



METROPOLITAN EQUIPMENT COMPANY

A DIVISION OF METROPOLITAN INDUSTRIES INC.

37 Forestwood Drive • Romeoville, Illinois 60446-1343

(815) 886-9200 • Fax: (815) 886-4573

Outside Illinois: (800) 323-1665

www.metropolitanind.com